

GL00X04WH



Glove Dispenser - Single

DESCRIPTION

ORIGIN™ Glove Box Dispenser – Single, Steel – White
Clean | Strong | Made in the USA

Holds one box of gloves for fast, efficient access in medical, dental, food service, or industrial environments.

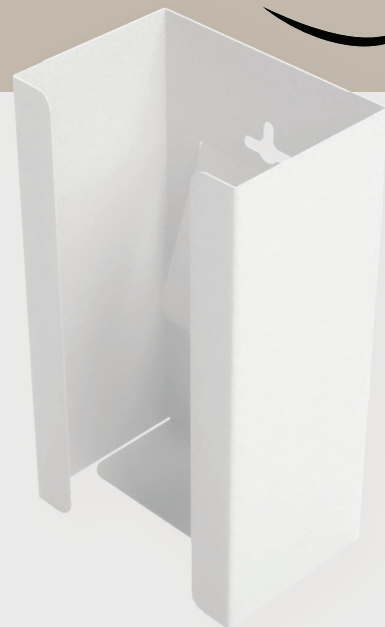
Mounts vertically or horizontally using built-in keyholes for flexible installation.

Constructed from durable steel with a clean white powder-coated finish—sleek, sturdy, and built to perform.

Resistant to wear, easy to disinfect, and ideal for sterile or high-traffic areas.

Proudly made in the USA – a crisp, professional solution for organized PPE storage.

Create a cleaner, more compliant workspace—order today!



TECHNICAL DATA

Dispenses	
Main Section	One box of gloves up to 5.50"W x 9.90"H x 3.75"D

Specifications	
Overall Dimensions	5.60"W x 9.95"H x 3.85"D (14.2 cm x 25.3 cm x 9.8 cm)
Weight	1.4 lbs (0.6 kg) – approx.
Shipping Quantity	12 ea.
Shipping Dimensions	18.00"W x 16.00"H x 12.00"D (45.7 cm x 40.6 cm x 30.5 cm)
Shipping Weight	18.0 lbs (8.2 kg) – approx.
Material	Durable White Powder-Coated Steel

USAGE AREAS

Ideal for use in healthcare, industrial, food service, and any environment where disposable gloves are required for protection and compliance.

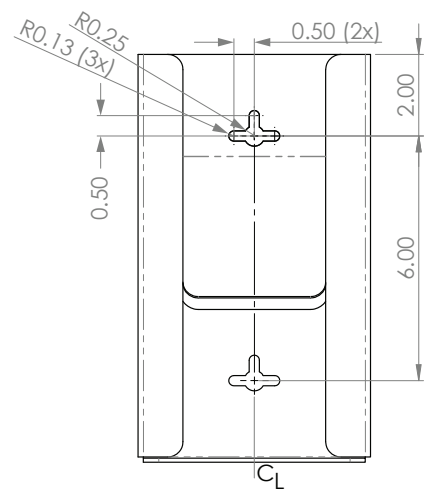
ACCESSORIES

- N/A

FEATURES

- ✓ Holds one box of gloves.
- ✓ Three-way keyholes for vertical or horizontal wall or surface/pegboard mounting.
- ✓ Made in USA.

MOUNTING SPECIFICATIONS



ORIGIN™ DISPENSING SOLUTIONS, LLC

Organization Begins With Us.

P: 360.912.9805

E: CustomerService@OriginDispensingSolutions.com

W: www.OriginDispensingSolutions.com

Product specifications are subject to change without notice.
Accessories and consumable items sold separately.

© 2025 ORIGIN Dispensing Solutions, LLC. All rights reserved.

GL00X04WH-TDS01