

GL10X01CL

Glove Dispenser - Single



DESCRIPTION

ORIGIN™ Glove Box Dispenser – Single, Front Cut Out, Clear PETG
Accessible | Lightweight | Made in the USA

Holds one box of gloves with a convenient front cut-out design for faster access in clinical, lab, or industrial environments.

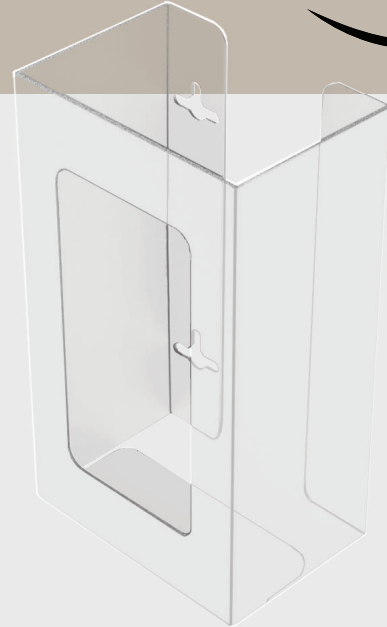
Mounts easily to the wall with integrated keyholes—ideal for tight spaces or high-traffic areas.

Constructed from lightweight, crystal-clear PETG plastic for visibility, durability, and easy cleaning.

The front cut-out allows quick glove grabbing without opening a flap—perfect for efficiency-driven workspaces.

Proudly made in the USA – your go-to solution for streamlined, hygienic glove dispensing.

Simplify access. Maximize compliance. Order yours today!



TECHNICAL DATA

| Dispenses | |
|--------------|--|
| Main Section | One box of gloves up to 5.50"W x 9.90"H x 3.75"D |

| Specifications | |
|---------------------|---|
| Overall Dimensions | 5.70"W x 10.00"H x 3.95"D (14.5 cm x 25.4 cm x 10.0 cm) |
| Weight | 0.7 lbs (0.3 kg) – approx. |
| Shipping Quantity | 12 ea. |
| Shipping Dimensions | 18.00"W x 16.00"H x 10.00"D (45.7 cm x 40.6 cm x 25.4 cm) |
| Shipping Weight | 11.0 lbs (5.0 kg) – approx. |
| Material | Durable Clear PETG |

USAGE AREAS

Ideal for use in healthcare, industrial, food service, and any environment where disposable gloves are required for protection and compliance.

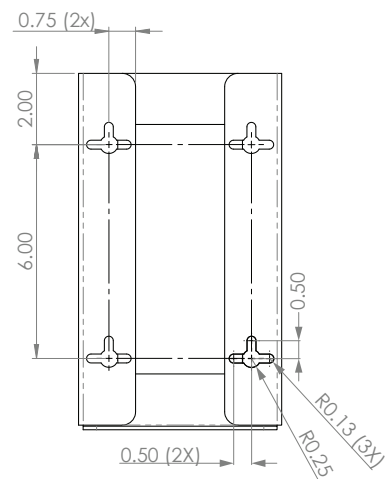
ACCESSORIES

- N/A

FEATURES

- ✓ Holds one box of gloves.
- ✓ Three-way keyholes for vertical or horizontal wall or surface/pegboard mounting.
- ✓ Made in USA.

MOUNTING SPECIFICATIONS



ORIGIN™ DISPENSING SOLUTIONS, LLC

Organization Begins With Us.

P: 360.912.9805

E: CustomerService@OriginDispensingSolutions.com

W: www.OriginDispensingSolutions.com

Product specifications are subject to change without notice.
Accessories and consumable items sold separately.

© 2025 ORIGIN Dispensing Solutions, LLC. All rights reserved.

GL10X01CL-TDS01