

GL11X02BG

Glove Dispenser - Single



DESCRIPTION

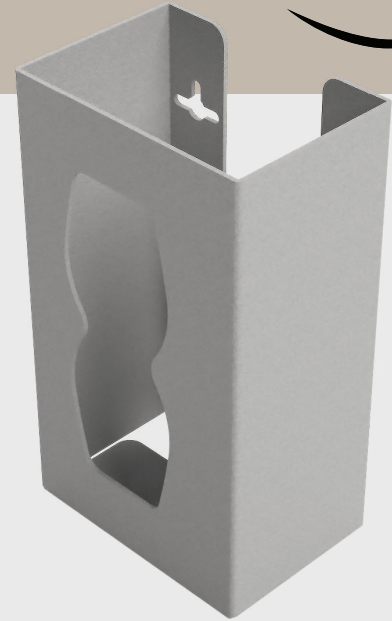
ORIGIN™ Glove Box Dispenser – Single, Quartz Beige
Compact | Hygienic | Made in the USA

Holds one box of gloves for quick access in clinical, lab, or industrial environments.

Three-way keyholes for flexible vertical or horizontal wall mounting.

Crafted from injection-molded Quartz Beige ABS plastic—durable, sleek, and built to last.

A space-saving essential for efficient glove storage—order now!



TECHNICAL DATA

Dispenses	
Main Section	One box of gloves up to 5.50"W x 9.90"H x 3.75"D

Specifications	
Overall Dimensions	5.70"W x 10.00"H x 3.95"D (14.5 cm x 25.4 cm x 10.0 cm)
Weight	0.7 lbs (0.3 kg) – approx.
Shipping Quantity	12 ea.
Shipping Dimensions	18.00"W x 16.00"H x 10.00"D (45.7 cm x 40.6 cm x 25.4 cm)
Shipping Weight	10.0 lbs (4.5 kg) – approx.
Material	Durable Quartz Beige ABS

USAGE AREAS

Ideal for use in healthcare, industrial, food service, and any environment where disposable gloves are required for protection and compliance.

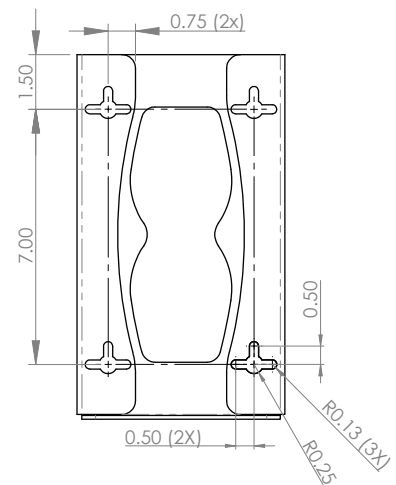
ACCESSORIES

- N/A

FEATURES

- ✓ Holds one box of gloves.
- ✓ Three-way keyholes for vertical or horizontal wall or surface/pegboard mounting.
- ✓ Made in USA.

MOUNTING SPECIFICATIONS



ORIGIN™ DISPENSING SOLUTIONS, LLC

Organization Begins With Us.

P: 360.912.9805

E: CustomerService@OriginDispensingSolutions.com

W: www.OriginDispensingSolutions.com

Product specifications are subject to change without notice.
Accessories and consumable items sold separately.

© 2025 ORIGIN Dispensing Solutions, LLC. All rights reserved.

GL11X02BG-TDS01