

# HS20L04BK



## Respiratory Hygiene Station - Locking

### DESCRIPTION

ORIGIN™ Locking Respiratory Hygiene Station – Black Steel  
Secure | Sleek | Made in the USA

Organize and protect essential PPE supplies with this locking hygiene station, designed to hold two boxes of masks, one to two boxes of facial tissues, and a designated space for mounting a hand sanitizer dispenser. Includes Sign holder.

Constructed from black powder-coated steel for a modern, professional look that resists wear in public or clinical environments.

Features a hinged locking lid to prevent tampering and integrated keyholes for wall mounting or optional ORIGIN™ Floor Stand compatibility.

Ideal for facilities prioritizing security, style, and cleanliness.



### TECHNICAL DATA

Dispenses	
Left Section	One hand sanitizer dispenser up to 8.50"W x 9.50"H x 4.70"D
Center Section	Boxes of earloop masks up to 8.00"W x 10.00"H x 4.70"D
Right Section	Boxes of tissues up to 5.50"W x 10.00"H x 4.75"D

Specifications	
Overall Dimensions	22.33"W x 14.63"H x 4.85"D (56.7 cm x 37.2 cm x 43.2 cm)
Weight	5.7 lbs (2.6 kg) – approx.
Shipping Quantity	1 ea. piece
Shipping Dimensions	24.00"W x 16.00"H x 6.00"D (61.0 cm x 40.6 cm x 15.2 cm)
Shipping Weight	9.0 lbs (4.1 kg) – approx.
Material	Durable Black Powder-Coated Steel

### USAGE AREAS

Ideal for hospital entrances, clinic lobbies, and waiting rooms—hygiene stations provide masks, sanitizer, and tissues to support infection prevention at the first point of contact.

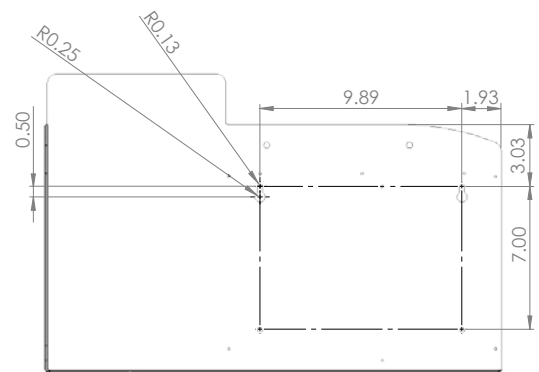
### ACCESSORIES

- Sign Holder - SN10X01CL
- Floor Stand - KS10X04BK

### FEATURES

- ✓ Holds two boxes of earloop-style masks, two thin tissue boxes, and one hand sanitizer dispenser (not included).
- ✓ Easy assembly. All hardware included.
- ✓ Made in USA.

### MOUNTING SPECIFICATIONS



### ORIGIN™ DISPENSING SOLUTIONS, LLC

*Organization Begins With Us.*

P: 360.912.9805

E: [CustomerService@OriginDispensingSolutions.com](mailto:CustomerService@OriginDispensingSolutions.com)

W: [www.OriginDispensingSolutions.com](http://www.OriginDispensingSolutions.com)

Product specifications are subject to change without notice.  
Accessories and consumable items sold separately.

© 2025 ORIGIN Dispensing Solutions, LLC. All rights reserved.

HS20L04BK-TDS02