

# SR70X04BG



## Semi-Recessed Behavioral Health Locking Cabinet

### DESCRIPTION

ORIGIN™ Behavioral Health Semi-Recessed Locking Cabinet – Secure Storage with Safety First  
Beige Powder-Coated Steel | Anti-Ligature Design | Dual-Lock Access | Made in the USA

Purpose-built for behavioral health environments, this semi-recessed locking cabinet offers secure, ligature-resistant storage for PPE, medications, personal items, or restricted-use supplies.

Designed with curved, anti-ligature edges and a low-profile form factor, the cabinet minimizes risk while maximizing accessibility and space efficiency. Three internal shelves provide organized storage, while two keyed locks ensure secure, controlled access in compliance-sensitive areas.

Constructed from durable beige powder-coated steel for enhanced cleanability, corrosion resistance, and long-term performance. The neutral finish blends seamlessly into clinical environments while supporting facility-wide safety standards.

Ideal for behavioral health units, psychiatric emergency departments, or any space requiring ligature-conscious locked storage.

A new solution designed to fill the gap where safety, access, and compliance converge.



### TECHNICAL DATA

Dispenses	
Each Section (3x)	Boxes or items up to 11.08"W x 5.84"H x 3.50"D

Specifications	
Overall Dimensions	14.10"W x 21.32"H x 4.50"D (35.8 cm x 54.2 cm x 11.4 cm)
Weight	9.40 lbs (10.1 kg) – approx.
Shipping Quantity	1 ea.
Shipping Dimensions	TBD
Shipping Weight	11.00 lbs (5.0 kg) – approx.
Material	Durable Quartz Beige Powder-Coated Steel

### USAGE AREAS

Applicable to behavioral health units where PPE or other supplies require secure, ligature-conscious storage of PPE, medications or valuables.

### ACCESSORIES

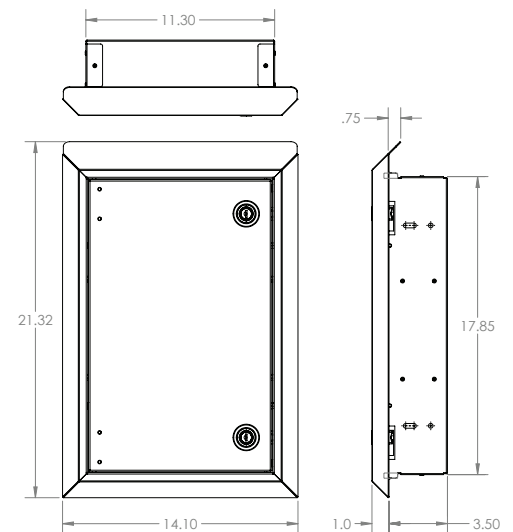
- N/A

### FEATURES

- ✓ Holds up to three boxes of gloves, up to three boxes of facemasks, and/or miscellaneous items, such as valuables, medications, etc.
- ✓ Through-holes for in-wall, recessed mounting.
- ✓ Made in USA.



### MOUNTING SPECIFICATIONS



### ORIGIN™ DISPENSING SOLUTIONS, LLC

*Organization Begins With Us.*

P: 360.912.9805

E: [CustomerService@OriginDispensingSolutions.com](mailto:CustomerService@OriginDispensingSolutions.com)

W: [www.OriginDispensingSolutions.com](http://www.OriginDispensingSolutions.com)

Product specifications are subject to change without notice.  
Accessories and consumable items sold separately.

© 2025 ORIGIN Dispensing Solutions, LLC. All rights reserved.

SR70L04BG-TDS03